

High-resolution Digimatic Measuring Unit LITEMATIC VL-50-B/50S-B

Catalog No. E13006(4)



Low and constant measuring force of 0.01 N, 0.15 N, or 1 N

Mitutoyo

Providing low and constant measuring force for high-accuracy inspection of delicate workpieces

LITEMATIC VL-50-B/50S-B

FEATURES

VL-50-B/50S-B

- Patent registered (Japan), Patent pending (Japan)

Ideal for measuring the thickness or height of a workpiece that can be easily affected by the measuring force

- With a measuring force of only 0.01 N, the Litematic is ideal for measuring easily deformed workpieces or high-accuracy components.
- For workpieces for which 0.01 N is insufficient, either the 0.15 N or 1 N model is recommended.
- The spindle is motor-driven and stops when the contact point touches the workpiece. From then on, the maximum, minimum, or difference value can be measured using a constant measuring force.

High-accuracy measurement

- High resolution of 0.01 μm , and wide measuring range of 50 mm.
- The measuring table supplied with **VL-50-B** is ceramic, which is corrosion free, for easier maintenance and storage.
- The spindle is made of low thermal expansion material.



Separate type VL-50S-B

Because the measuring unit and the display unit are separate, they can be integrated into the user's measurement system. An optional dedicated stand is also available.

Constant measuring force principle

An unbalanced, parallel-link structure enables the Litematic to offer a low and constant measuring force.

The Litematic's measuring force is not provided by a spring but comes from a structure resembling a balance scale. We call this a "parallel linkage." A motorized slider carrying the linked spindle moves down its guideway while the linkage is supported on a stop, as shown in Fig. 1. When the spindle contacts the workpiece (Fig. 2) it moves the linkage up off the stop and the motor is halted. At this point the linkage is now supported by the workpiece, and thus a constant measuring force is applied.

Fig. 1. The spindle moves downwards towards the workpiece.

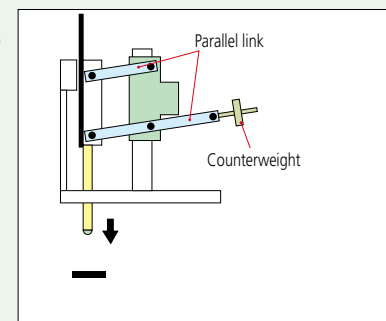
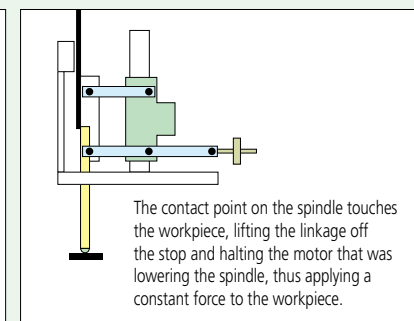


Fig. 2. The spindle lifts the linkage off the stop into the measuring position.



Example Measurement Applications

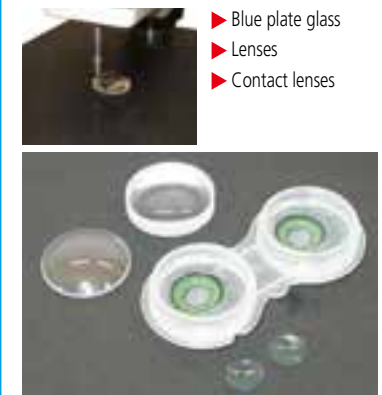
Rubber and plastic

If the workpiece is soft the risk of indentation may be reduced by replacing the standard contact point with one of larger radius, such as an optional carbide-ball type.



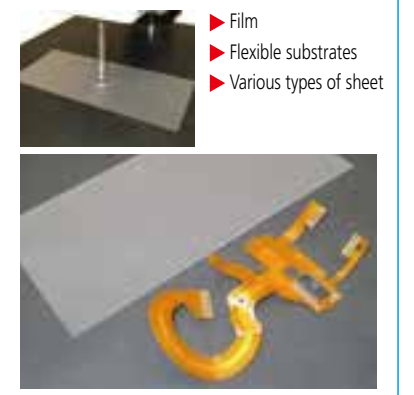
Glass

For this type of workpiece the smallest measuring force available is recommended.



Film and sheet

If the workpiece flexes, making accurate measurement impossible, using a type with a larger measuring force or adding a weight to the spindle may be effective.



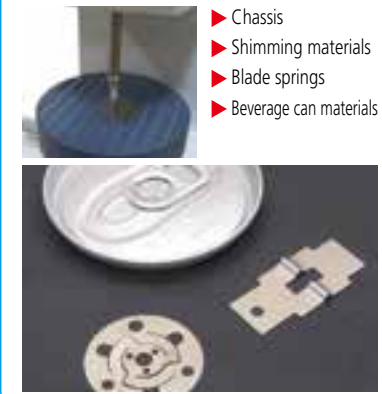
Precision components

The Litematic can be used as a high-precision displacement gage.



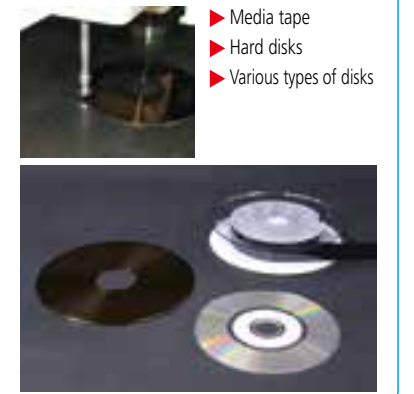
Thin sheet metal

Because the measuring force is small, deformation of the workpiece can be minimized.



Media discs

For this type of workpiece the smallest measuring force available is recommended.



Medical and pharmaceutical products

If the workpiece is soft the risk of indentation may be reduced by replacing the standard contact point with one of larger radius, such as an optional carbide-ball type.



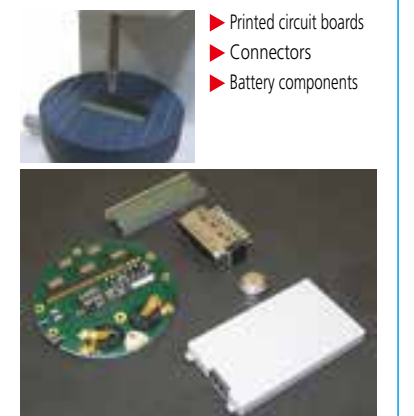
Semiconductors

If the workpiece flexes, making accurate measurement impossible, using a type with a larger measuring force or adding a weight to the spindle may be effective.



Electronic components

For this type of workpiece the smallest measuring force available is recommended.



LITEMATIC VL-50-B/50S-B

FUNCTIONS

VL-50-B/50S-B

Control panel/Display Unit

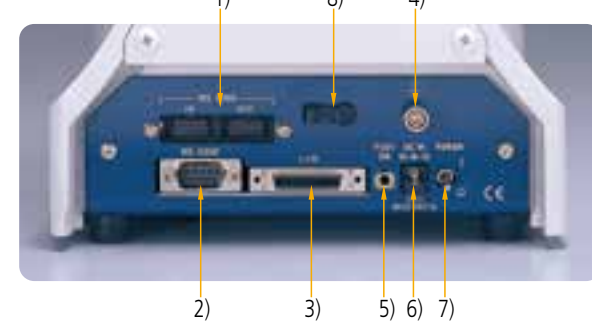


Key	Function
1) Up	Moves the spindle up only while the key is pressed.
2) Down	Moves the spindle down only while the key is pressed. Used to touch the contact point on a workpiece to make a measurement.
3) Rapid Up	Moves the spindle up quickly only while the key is pressed.
4) Rapid Down	Moves the spindle down quickly only while the key is pressed.
5) ZERO	Sets the origin at any position of the spindle. Also, it zero-sets all display values for difference measurements. This key can be used to clear an error.
6) PRESET	Allows the currently displayed value to be set from the keyboard, irrespective of spindle position. Often used in conjunction with gauge blocks.
7) MODE	Selects and sets one of various measurement modes such as MAX/MIN measurement.
8) LIMIT	Enters tolerance limits for tolerance judgment.
9) TEACH	Sets up the position memory.
10) PM1 to PM3	Moves the spindle to a previously stored position with a single keystroke.

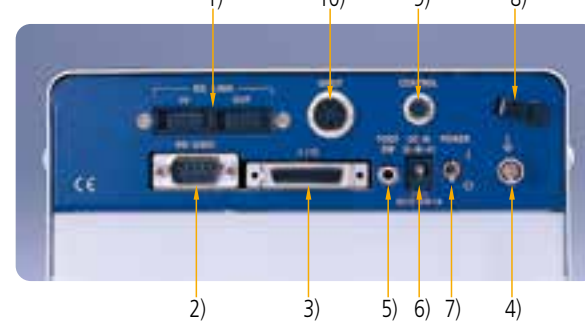
Indicator (LED)	Function
11) GO/NG	Displays the result of a GO/NG judgment.
12) Sign	Lights to display a minus value.
13) MAX	Lights in the maximum value mode. Both light when the measurement is the difference type (MAX - MIN).
14) MIN	Lights in the minimum value mode.
15) WORK	Lights while a workpiece is being measured.
16) T.H.	Lights when a measurement value is held after measurement has been completed.
17) C.T.	Lights when the user compensation is set to ON. (Lights while the position memory is active.)
18) UNIT	Lights while the unit of display values is inch. (Lights in the external HOLD mode.)

Rear panel (switches and connectors)

VL-50-B



VL-50S-B



1) Measurement data output connector (OUT)	Outputs measurement data to a Digimatic mini-processor, etc.
RS-LINK connector (IN/OUT)	Connects multiple devices and can output measurement data from one RS-232 port.
2) RS-232C connector	For communication with a PC, etc.
3) External control connector	Used to connect this instrument to an external device for remote control.
4) GND terminal	—
5) Foot switch	Foot switch (optional) for controlling measurement operation is connected here.
6) DC IN	Input connector to receive power from the AC mains adapter.
7) Power switch	—
8) AC adapter cord clamp	Prevents AC adapter cord from pulling out.
9) CONTROL connector: for VL-50S-B only	Gage head connector.
10) INPUT connector: for VL-50S-B only	Gage head connector.

SPECIFICATIONS

VL-50-B/50S-B

Order No.	318-221*4	318-222*4	318-223*4	318-226*4	318-227*4	318-228*4
Model	VL-50-B	VL-50-15-B	VL-50-100-B	VL-50S-B	VL-50S-15-B	VL-50S-100-B
Measuring range*1	0 to 50 mm (0 to 2 in)					
Resolution	0.01/0.1/1.0 μm (0.000005 in/0.00005 in/0.0005 in)					
Display unit	8 digits/14 mm (0.6 in) character height (without signs)					
Scale type	Reflection type linear encoder					
Stroke	51.5 mm (2 in) (when using a standard contact point)					
Measuring accuracy (20 °C)*1	(0.5+L/100) μm L=arbitrary measuring length (mm)					
Accuracy guaranteed temperature*2	20 ± 1 °C					
Repeatability*1	σ = 0.05 μm					
Measuring force*1	0.01 N	0.15 N*3	1 N*3	0.01 N	0.15 N*3	1 N*3
Feed speed	Measurement	Approx. 2 mm/s (0.08 in/s) or 4 mm/s (0.16 in/s) (changeable by parameter)				
	Fast feed	Approx. 8 mm/s (0.3 in/s)				
Contact point	ø3 mm carbide tipped (fixing screw: M2.5 (P=0.45)×5), standard contact point: 901312					
Measuring table	ø100 (ceramic, grooved, removable)			—		
Input	Foot switch input (when optional foot switch is used), External Control					
Output	Digimatic output/RS-232C output (changeable by parameter)					
Rating	Power supply	85 to 264 V AC (depends on AC adapter)				
	Power consumption	Max. 12 W (12 V, 1 A)				
EU Directive	Standard: EN61326-1:2013, Immunity test requirement: Clause 6.2 Table 2, Emission limit: Class B					
Main unit mass	19 kg (35.2 lbs)			6 kg (11 lbs)		
Standard Accessories	AC adapter: 357651 , Power cable: 02ZAA000 , Grounding wire: 09CAA985 , AC cable (Japan): 02ZAA000 , AC cable (USA): 02ZAA010 , AC cable (EU): 02ZAA020 , AC cable (UK): 02ZAA030 , AC cable (China): 02ZAA040 , AC cable (Korea): 02ZAA050 Hex wrench (2 pcs, for fixing contact point and for removing fixing bracket)					
	Foot switch: 937179T					
Optional accessories	—					
	Dedicated stand: 957460					
	Output connector (with cover): 02ADB440 (for external control)					
	RS-LINK/Digimatic connecting cable: 936937 (1 m) 965014 (2 m)					
	Recommended interchangeable contact points*5 (Measuring force when each interchangeable contact point is used.) Shell type: 101118 (Approx. 0.02 N) Carbide tipped spherical contact point, ø7: 120059 (Approx. 0.03 N) Carbide tipped spherical contact point, ø10.5: 120060 (Approx. 0.06 N) Carbide tipped needle contact point, ø0.45: 120066 (Approx. 0.01 N) VL weight parts: 02AZE375 Measuring force: Approx 0.01 N to 0.96 N Note: The above VL weights are not applicable to VL-50-100-B , VL-50S-100-B .					

*1 Normal measurement using standard contact point (with smoothing set as "weak").

*2 Under less temperature change, and hot or cold direct air flow should be avoided.

*3 0.15 N and 1 N types are factory-installed option.

*4 To denote your AC power cable add the following suffixes to the order No.: A for UL / CSA, D for CEE, DC for CCC, E for BS, F for SAA, K for KC, and No suffix are required for PSE.

*5 When another contact point that has a flat measuring face is mounted, the contact point requires parallelism adjustment with respect to the table surface.

Mounting this contact point should be custom-ordered from Mitutoyo.

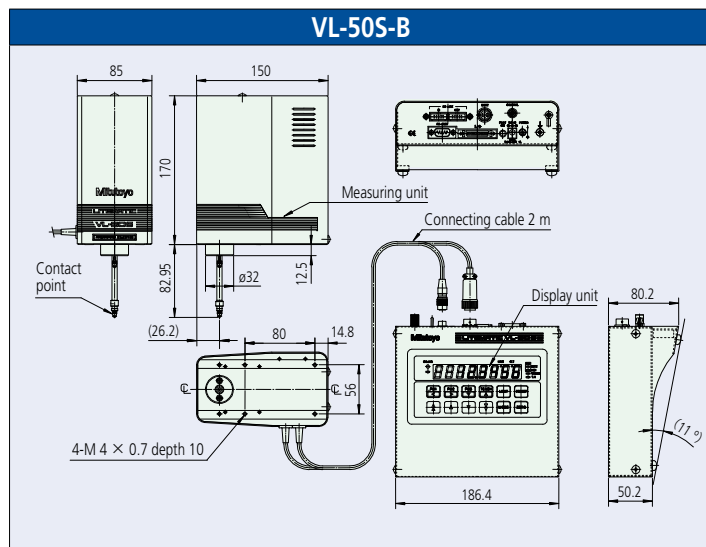
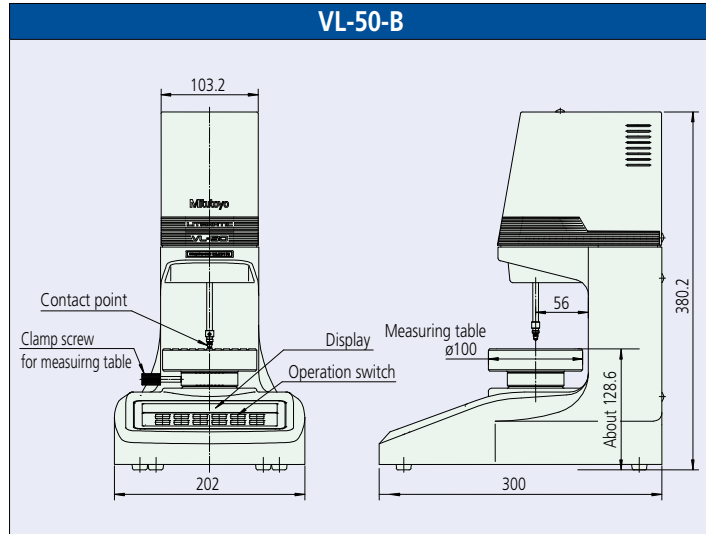
Note: Motor life is approximately 100,000 operations, after which replacement is advisable.

This maintenance factor is particularly important to bear in mind when the machine is used frequently, such as on a production line.

LITEMATIC VL-50-B/50S-B

DIMENSIONS

(Unit: mm)



Note: When a contact point having a flat measuring surface, other than those described above, is installed, the measuring surface must be adjusted for parallelism with the table surface. This requires a special order.

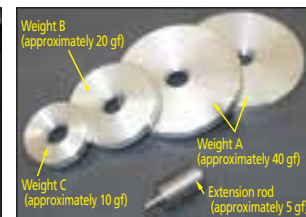
Optional weights for the Litematic (02AZE375)

One of the notable characteristics of the Litematic is its small measuring force (0.01 N or 0.15 N models). However, depending on the characteristics of the workpiece, it may not be possible to transmit a sufficient measuring force and the contact point may appear suspended. To solve such a problem, optional weights are available that attach to the spindle to achieve the appropriate measuring force without damaging the workpiece.

Spindle with an optional weight installed



External appearance of optional weights

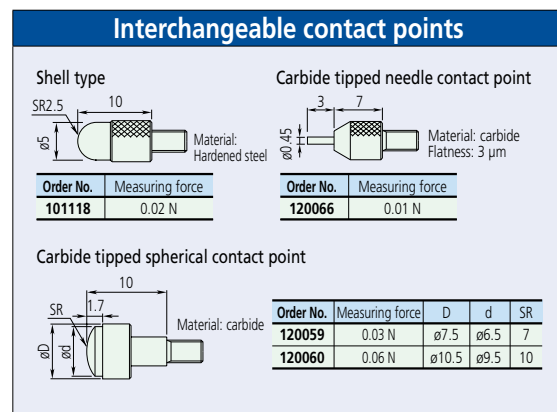
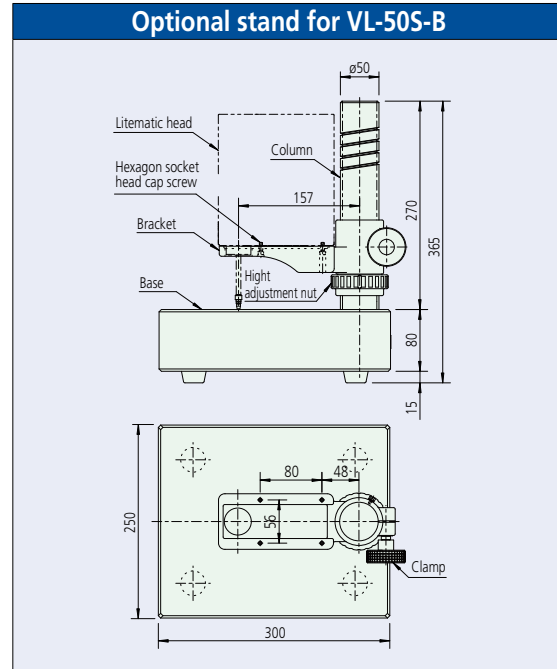


Measuring forces generated by weight combinations for 0.01/0.15 N models

Measuring force (N)	Extension rod	A B C		
		A	B	C
0.01	0.15	1		
0.06	0.21	1		
0.16	0.31	1		1
0.26	0.41	1		1
0.36	0.51	1		1
0.46	0.61	1	1	1
0.56	0.71	1	1	1
0.66	0.81	1	1	1
0.76	0.91	1	1	1
0.86	—	1	2	1
0.96	—	1	2	1

Note: Cannot be used with VL-50-100-B, or VL-50S-100-B

Mitutoyo

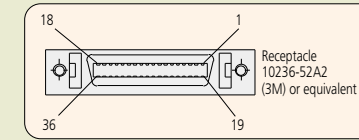


Connector terminal Function

(1) Applicable plug No.02ADB440 No.02ADB440 (with cover) Optional accessory

(2) Pin assignment

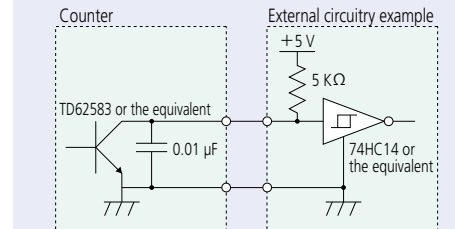
Pin No.	Signal name	Input/Output	Description (purpose)																					
1	COM	—	Common terminal to input and output circuits (internally connected to GND)																					
2	COM	—																						
3	L1	OUT																						
4	L2	OUT	Tolerance judgment output terminal																					
5	L3	OUT	A related judgment terminal only outputs "L"																					
6	L4	OUT	At error occurrence																					
7	L5	OUT	L1, L5 = Outputs "L"																					
10	NOM	OUT	L2, L3, L4 = Outputs "H"																					
21	ULIMIT	OUT	Outputs "L" in the count mode.																					
22	WORK	OUT	Outputs "L" upon detection of a workpiece.																					
25	SET1	IN	Specifies peak selection/motor speed in combination with SET.																					
26	SET2	IN																						
28	MODE	IN	Peak selection: In combination with SET <table border="1"> <thead> <tr> <th>Peak mode</th> <th>SET2</th> <th>SET1</th> </tr> </thead> <tbody> <tr> <td>Current value</td> <td>H</td> <td>H</td> </tr> <tr> <td>MAX</td> <td>H</td> <td>L</td> </tr> <tr> <td>MIN</td> <td>L</td> <td>H</td> </tr> <tr> <td>TIR</td> <td>L</td> <td>L</td> </tr> </tbody> </table>	Peak mode	SET2	SET1	Current value	H	H	MAX	H	L	MIN	L	H	TIR	L	L						
Peak mode	SET2	SET1																						
Current value	H	H																						
MAX	H	L																						
MIN	L	H																						
TIR	L	L																						
30	UP	IN	Motor control: Specifies a spindle ascent speed along with SET. <table border="1"> <thead> <tr> <th>Speed</th> <th>VL-50B/50-SB</th> <th>VL-50AH</th> <th>SET2</th> <th>SET1</th> </tr> </thead> <tbody> <tr> <td>8 mm/s</td> <td>5 mm/s</td> <td>H</td> <td>H</td> </tr> <tr> <td>4 mm/s</td> <td>3 mm/s</td> <td>H</td> <td>L</td> </tr> <tr> <td>2 mm/s</td> <td>2 mm/s</td> <td>L</td> <td>H</td> </tr> <tr> <td>1 mm/s</td> <td>1 mm/s</td> <td>L</td> <td>L</td> </tr> </tbody> </table> When changing the spindle speed, stops the spindle once and allows 50 ms or more before change.	Speed	VL-50B/50-SB	VL-50AH	SET2	SET1	8 mm/s	5 mm/s	H	H	4 mm/s	3 mm/s	H	L	2 mm/s	2 mm/s	L	H	1 mm/s	1 mm/s	L	L
Speed	VL-50B/50-SB	VL-50AH	SET2	SET1																				
8 mm/s	5 mm/s	H	H																					
4 mm/s	3 mm/s	H	L																					
2 mm/s	2 mm/s	L	H																					
1 mm/s	1 mm/s	L	L																					
31	DN	IN	Motor control: Specifies a spindle descent speed along with SET. <table border="1"> <thead> <tr> <th>Speed</th> <th>VL-50B/50-SB</th> <th>VL-50AH</th> <th>SET2</th> <th>SET1</th> </tr> </thead> <tbody> <tr> <td>8 mm/s</td> <td>5 mm/s</td> <td>H</td> <td>H</td> </tr> <tr> <td>4 mm/s</td> <td>3 mm/s</td> <td>H</td> <td>L</td> </tr> <tr> <td>2 mm/s</td> <td>2 mm/s</td> <td>L</td> <td>H</td> </tr> <tr> <td>1 mm/s</td> <td>1 mm/s</td> <td>L</td> <td>L</td> </tr> </tbody> </table> When changing the spindle speed, stops the spindle once and allows 50 ms or more before change.	Speed	VL-50B/50-SB	VL-50AH	SET2	SET1	8 mm/s	5 mm/s	H	H	4 mm/s	3 mm/s	H	L	2 mm/s	2 mm/s	L	H	1 mm/s	1 mm/s	L	L
Speed	VL-50B/50-SB	VL-50AH	SET2	SET1																				
8 mm/s	5 mm/s	H	H																					
4 mm/s	3 mm/s	H	L																					
2 mm/s	2 mm/s	L	H																					
1 mm/s	1 mm/s	L	L																					
32	FSW	IN	Motor control: Same function as that of foot switch.																					
34	HOLD	IN	The display value is held during input. At error occurrence the error is cleared at the leading edge of this signal.																					
35	P.SET	IN	Executes presetting. Peak clear: The peak value is cleared upon input of the signal during the HOLD signal input in the Peak mode.																					
	N.C.	—	Unconnected terminals (8, 9, 11-20, 23, 24, 27, 29, 33 and 36 pin terminals)																					



Applicable plug specification
 10136-3000VE (3M: Plug)
 10336-52AO-008 (3M: Cover)
 DX40M-36P (Hirose: Plug)
 DX30M-36-CV (Hirose: Cover)

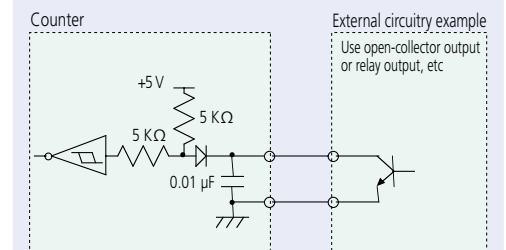
(3) Input/output circuit

1. Output circuit: When the signal goes to "Low," the transistor turns on. (Open collector output)



Maximum output voltage : 24 V
 Maximum output current : 20 mA
 Maximum saturation voltage : 0.7 V

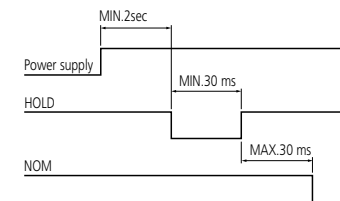
2. Input circuit: When the signal goes to "Low," the input is enabled.



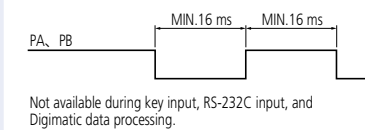
Maximum input current: 1 mA
 Inout voltagage (H): H=4~24 V
 Inout voltagage (L): = 1 V max.

(4) Timing Chart

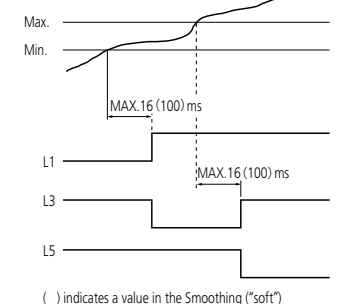
1. Power On characteristics



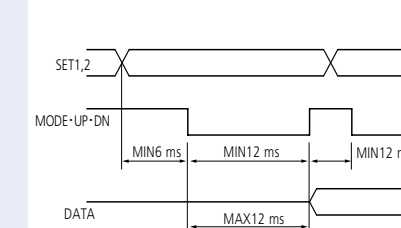
2. External presetting



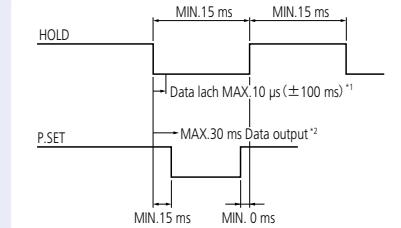
3. Tolerance judgment result output timing



4. Mode/Up/DN timing



5. HOLD, Error clear



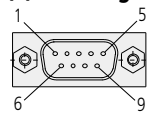
* Peak clear input (following HOLD input, preset input)
 *1: The value in () is that at the time of smoothing.
 *2: In case of parameter 28 and HOLD selection 1.

RS-232C Communication Function

(1) List of commands

Command format	Response output	Operation content
GA**CRLF	G#** +01234.567CRLF	A display value is output via RS-232C. “* * ” indicates gage channel numbers 01 to 99 (all channel number to 01 “#” indicates the type of data (N: current value, X: maximum value, M: minimum value, and V: TIR) CRLF stands for carriage return (CR) and line feed (LF).
CN**CRLF	CH**CRLF	The display is switched to the current value.
CX**CRLF	CH**CRLF	The display is switched to the maximum value.
CM**CRLF	CH**CRLF	The display is switched to the minimum value.
CW**CRLF	CH**CRLF	The display is switched to the TIR value.
CR**CRLF	CH**CRLF	The display is zero-set.
CL**CRLF	CH**CRLF	The peak value is cleared.
CP**,+01234567CRLF	CH**CRLF	The preset value is input. Input a preset value and a tolerance limit with a sign and a numeric value of 8 digits without appending a decimal point.
CD**,+01234567CRLF	CH**CRLF	Input tolerance limit S1. Perform tolerance setup in the order of CD and CG for 3-step tolerance judgment, and in the order of CD, CE, CF, and CG for 5-step tolerance judgment. An error message is output if there is a difference in tolerance limit order, or in the number of steps between the setting and data to be sent, or if incorrect data exists. If this is the case, repeat setup from the beginning of the CD command.
CE**,+01234567CRLF	CH**CRLF	Input tolerance limit S2.
CF**,+01234567CRLF	CH**CRLF	Input tolerance limit S3.
CG**,+01234567CRLF	CH**CRLF	Input tolerance limit S4.
CS**CRLF	CH**CRLF	An error is canceled.
VS**,+ \$ CRLF	CH**CRLF	Spindle control Sign +: Moves up the spindle., -: Moves down the spindle. \$: Speed specification 0: Stop 1: 2 mm/s 2: 4 mm 3: 8 mm/s approx.
VT**,+ \$ CRLF	CH**,#CRLF	Status of spindle condition In place of #, 0: Normal 1: Upper dead point limit 2: WORK ON Channel number 00 cannot be used.

(2) Pin assignment



- Receptacle specification: D-sub 9-pin (male), inch thread spec.
- Applicable plug specification: D-sub 9-pin (female), inch thread spec.
- Commercial cable examples:
For DOS/V: KRS-403XF1K (1.5 m), Sanwa Supply Corp.
For PC-98 series: KRS-423XF1K (1.5 m), Sanwa Supply Corp.

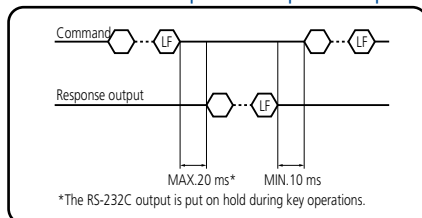
Pin No.	Signal name	Input/Output	Definition
2	RXD	IN	Receive data
3	TXD	OUT	Transmit data
4	DTR	OUT	Data terminal ready
5	GND	—	Ground
6	DSR	IN	Data set ready
7	RTS	OUT	Request to send
8	CTS	IN	Clear to send
1, 9	N.C.	—	Unconnected

(3) Communication protocol (EIA RS-232C compatible)

Home position	DTE (terminal) and cross cable are to be used.
Communication method	half-duplex, non-procedural
Baud rate	4800, 9600, 19200 bps
Bit configuration	Start bit: 1 Data bits: (7 or 8) ASCII, uppercase Parity bit: None, even or odd Stop bits: 2
Communication condition setup	Set with parameters.

(4) Timing Chart

RS-232C command input and response output



RS-232C data output time

The maximum output time when the all-data-output command (GA00CRLF) is used can be calculated using the following formula:

$$\text{Maximum output time [ms]} = \text{counter connection count} \times 20 + \text{connected channel} \times 17 (8.5) + 6 (3)$$

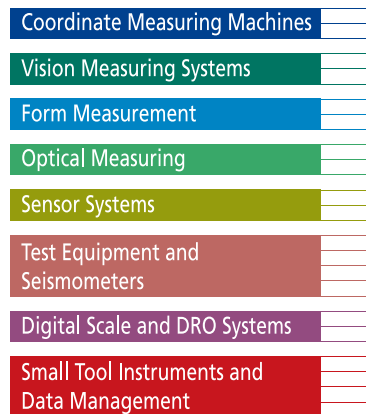
*At a transfer speed of 9,600 bps; figures inside () indicate values [in ms] when the speed is 19,200 bps. (Calculation example) 1 VL unit = MAX43 (31.5) ms (Note: The processing time by the personal computer is not included.)

Printer

Digimatic mini processor DP-1VA LOGGER 264-505

Prints the Digimatic output up to 8 digits from Litematic.

Connecting cable (936937)



Mitutoyo Corporation

20-1, Sakado 1-chome,
Takatsu-ku, Kawasaki-shi,
Kanagawa 213-8533, Japan

T +81 (0) 44 813-8230

F +81 (0) 44 813-8231

<https://www.mitutoyo.co.jp>

Our products are classified as regulated items under Japanese Foreign Exchange and Foreign Trade Law. Please consult us in advance if you wish to export our products to any other country.

If the purchased product is exported, even though it is not a regulated item (Catch-All controls item), the customer service available for that product may be affected. If you have any questions, please consult your local Mitutoyo sales office.

Note: Product illustrations are without obligation. Product descriptions, in particular any and all technical specifications, are only binding when explicitly agreed upon.

MITUTOYO and MiCAT are either registered trademarks or trademarks of Mitutoyo Corp. in Japan and/or other countries/regions.

Other product, company and brand names mentioned herein are for identification purposes only and may be the trademarks of their respective holders.