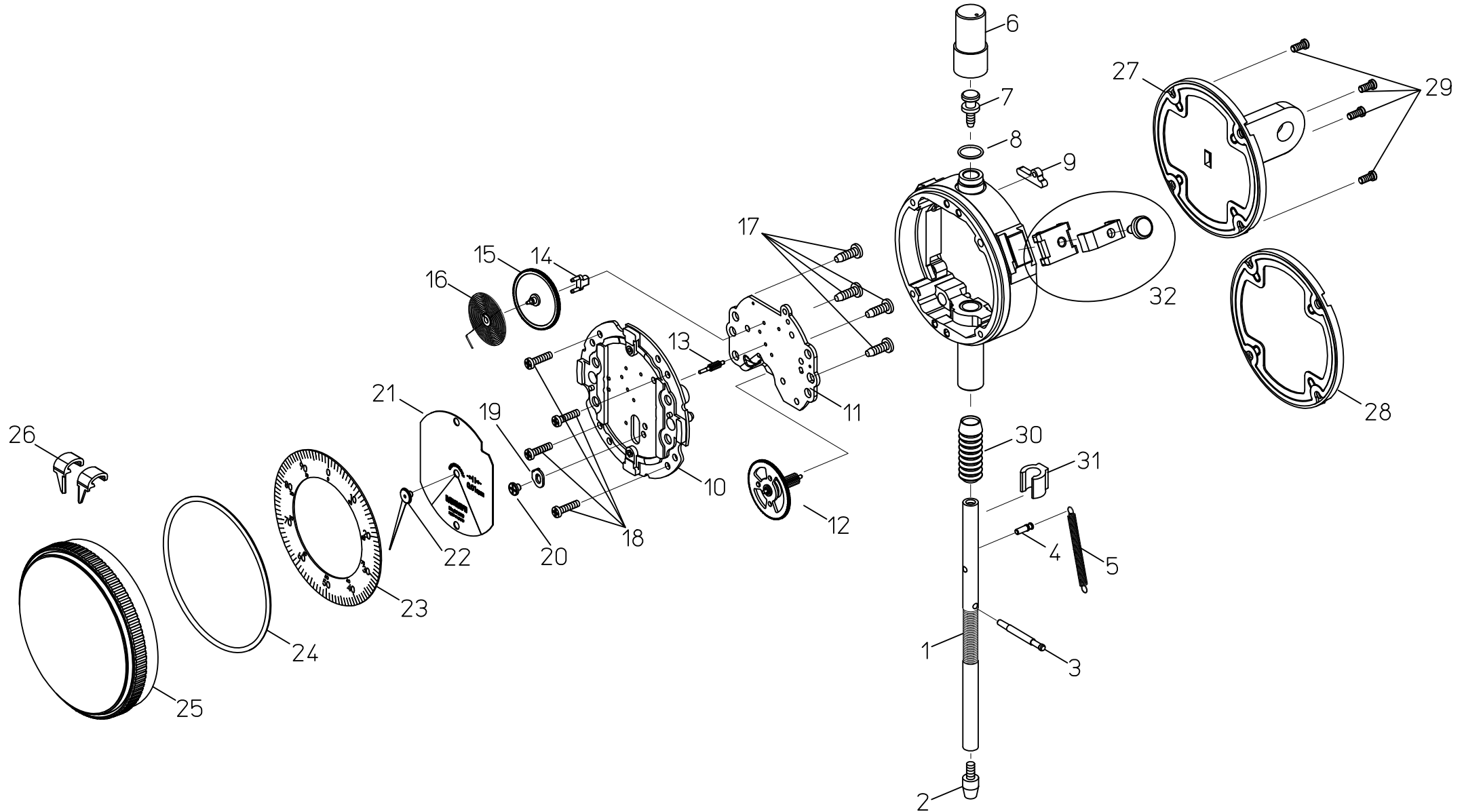


Ref No,2-85-2019-JUL



| KEY NO, | ブヒンメイ | PART NAME | 販売区分 CATEGORY | CODE NO, コードNO, | | | | | 備考 COMMENTS | |
|---|-----------------|-------------------------|------------------|-----------------|---------------|---------------|------------------|------------------|----------------|--|
| | | | | 2928S(B) - | 2929S(B) - | 2959S(B) - | 2929S(B)-60 - | 2929S(B)-62 - | | |
| 1 | スピンドル | SPINDLE | Y | 21AAB165 | 21AAB145 | | | | | |
| 2 | ソクテイシ | POINT | | 901312 | | | 21AZA320 | 901312 | | |
| 3 | ガイドピン | PIN, SPINDLE GUIDE | | 21AAB142 | | | | | ※1 | |
| 4 | ハネウケピン | PIN, SPRING | | 21AAB143 | | | | | | |
| 5 | ツルマキハネ | SPRING, SPINDLE | | 21AAA299 | | | | | | |
| 6 | キャップ | CAP,DUST | | 193051S | | | 193595S | | | |
| 7 | ストップネジ | SCREW, SPINDLE STOP | | 101171 | | | | | | |
| 8 | キャップリング | O-RING, DUST CAP SEAL | | - | | | 125357 | | | |
| 9 | カンショウコム | DANPER | | 121224 | | | | | | |
| 10 | シイタ | PLATE, BOTTOM | | 21AZB069 | | | | | ※1 | |
| 11 | ジクウケイタ | PLATE, TOP | | 21AAB023 | | | | | | |
| 12 | タイハグルマ | GEAR, INTERMEDIATE | | 21AZB082 | 21AZB083 | 21AZB084 | 21AZB083 | | | |
| 13 | センターピニオン | PINION, CENTER | | 21AAB052 | 21AAB051 | 21AAB053 | 21AAB051 | | | |
| 14 | ヒケトメ | PIN, HAIR SPRING | | 21AAB071 | | | | | | |
| 15 | バックハグルマ | GEAR, TAKE-UP | | 21AZB098 | 21AAB056 | 21AZB099 | 21AAB056 | | | |
| 16 | ヒケゼンマイ | SPRING, HAIR | | 21AZB110 | 21AZB106 | 21AZB110 | 21AZB106 | | | |
| 17 | ジュウジナベコネジ(M2.5) | SCREW (M2.5) | | 21AAB072 | | | | | | |
| 18 | ジュウジナベコネジ(M2) | SCREW (M2) | | 21AAB073 | | | | | | |
| 19 | ストップパー | STOPPER | | 21AAA147 | | | | | | |
| 20 | ジュウジナベコネジ(M2) | SCREW (M2) | | 21AAA137 | | | | | | |
| 21 | モシイタ | COUNTER | | 21AAB108 | 21AAB109 | 21AAB112 | 21AAB110 | 21AAB111 | | |
| 22 | チョウシン | HAND, DIAL | | 21AZB120 | | | | | ※1 ※2 | |
| 23 | メモリイタ | DIAL | | 21AAB130 | 21AAB131 | 21AAB132 | 21AAB131 | | | |
| 24 | オリング | O-RING, BEZEL SEAL | | 192725 | | | | | | |
| 25 | ソトワケ | BEZEL | | 21AZB161 | | | | | | |
| 26 | リミットバリ(2ヶセット) | HAND, TOLERANCE (2 PCS) | | 21AZB195 | | | | | 緑色 Green | |
| 27 | ウラフタ(ミ) | BACK, LUG ON CENTER | | 101040 | | | 21AZB230 | | | |
| 28 | ウラフタ(ヒラ) | BACK, FLAT | | 101039 | | | 21AZB231 | | Bタイプ/B-type | |
| <p>※1 交換するには修理技術が必要です。交換後の精度は保証しません。 Repair technology is required in order to exchange.The accuracy after exchange is not guaranteed.</p> <p>※2 取扱説明書99MAG006Bを参照の上、指針リーマNo.21JAA273(φ0.5:1/20テーパ)を使用して下さい。 Use the reamer for pointer No.21JAA273(φ0.5:1/20 taper). Refer to manual No.99MAG006B.</p> | | | | | | | | | | |

