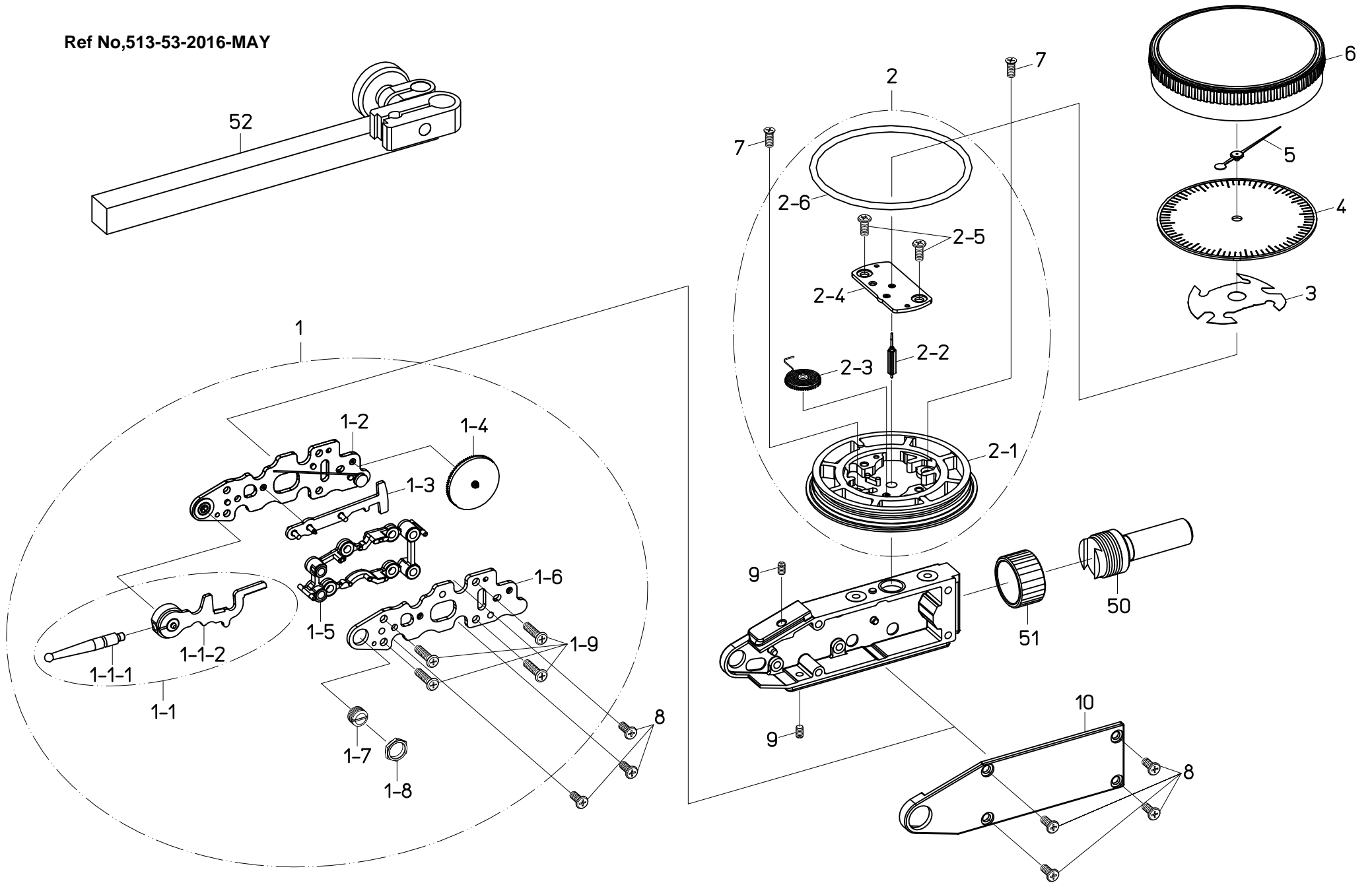


Ref No,513-53-2016-MAY



| KEY NO. | ブヒンメイ | PART NAME | 販売区分 CATEGORY | CODE NO, コードNO, | | | | | | 備考 COMMENTS |
|---------|----------------|-----------------------|------------------|-----------------------|------------------------|-----------------------|------------------------|-----------------------|------------------------|----------------|
| | | | | 513-424-10 TI-133X | 513-478-10 TI-133RX | 513-415-10 TI-123X | 513-477-10 TI-123RX | 513-401-10 TI-111X | 513-471-10 TI-111RX | |
| 1 | ムーブメント | MOVEMENT | Y | 21CZB036 | 21CZB037 | 21CZB073 | 21CZB074 | 21CZB051 | 21CZB052 | |
| 1-1 | アーム ASSY | ARM ASSY | | 21CZB040 | 21CZB041 | 21CZB078 | 21CZB079 | 21CZB054 | 21CZB055 | ※1 |
| 1-1-1 | φ2ポイント | POINT, φ2 | | 137557 | 21CZA210 | 136013 | 21CZA211 | 103010 | 21CZA209 | |
| 1-1-2 | アーム | ARM | | 21CZB125 | | | | | | ※1 |
| 1-2 | シイタシタ | PLATE, BOTTOM (LOWER) | | 21CZB026 | | 21CZB071 | | 21CZB026 | | ※1 |
| 1-3 | セクターギア | SECTOR GEAR | | 21CZB038 | | | 21CZB053 | | | |
| 1-4 | クラウンギア | GEAR CROWN | | 21CZB039 | | | 21CZB048 | | | |
| 1-5 | スペーサ | SPACER | | 21CAB016 | | | | | | |
| 1-6 | シイタウエ | PLATE, BOTTOM (UPPER) | | 21CZB028 | | | | | | |
| 1-7 | ヘアリングケース | CASE BEARING | | 21CZB030 | | | | | | |
| 1-8 | ヘアリングナット | NUT BEARING | | 103050 | | | | | | |
| 1-9 | M1.7X6.5 ナベコネジ | SCREW M1.7X6.5 | | 21CAB024 | | | | | | |
| 2 | シクウケホルダ ASSY | PLATE BASE ASSY | Y | 21CZB019 | | | | | | |
| 2-1 | シクウケホルダー | PLATE BASE | | 21CZB020 | | | | | | |
| 2-2 | センターピニオン | PINION, CENTER | | 21CAB004 | | | | | | ※1 |
| 2-3 | バックハグルマ | GEAR, TAKE-UP | | 21CZB021 | | | | | | |
| 2-4 | シクウケイタ | PLATE, TOP | | 21CZB023 | | | | | | |
| 2-5 | M1.7X3.8 ナベコネジ | SCREW M1.7X3.8 | | 21CAB009 | | | | | | |
| 2-6 | リング | O-RING | | 133180A | | | | | | |
| 3 | イタハネ | WASHER SPRING | | 21CAA024 | | | | | | |
| 4 | メモリイタ | DIAL | | 21CAB057A | 21CAB057D | 21CAB075A | 21CAB075D | 21CAB049A | 21CAB049D | |
| 5 | チョウシン | HAND, DIAL | | 21CZB035 | | | | | | ※1 リーマ加工品 |
| 6 | ソトワク | BEZEL | | 21CZB115 | | | | | | |
| 7 | M1.7X4 サラコネジ | SCREW M1.7X4 | | 21CAA056 | | | | | | |
| 8 | M1.7X3.8 ナベコネジ | SCREW M1.7X3.8 | | 21CAB009 | | | | | | |
| 9 | M1.6X2.7 セットネジ | SCREW SET | | 21CAB028 | | | | | | |
| 10 | カバー | COVER | | 21CAB025 | | | | | | |

※1 交換するには修理技術が必要です。交換後の精度は保証しません。

Repair technology is required in order to exchange. The accuracy after exchange is not guaranteed.

書類NO. 513-53

| KEY NO. | ピンメイ | PART NAME | 販売区分 CATEGORY | CODE NO. コードNO. | | | | | | 備考 COMMENTS |
|---------|---------|------------------------|------------------|-----------------------|------------------------|-----------------------|------------------------|-----------------------|------------------------|----------------|
| | | | | 513-424-10 TI-133X | 513-478-10 TI-133RX | 513-415-10 TI-123X | 513-477-10 TI-123RX | 513-401-10 TI-111X | 513-471-10 TI-111RX | |
| | 【標準付属品】 | 【STANDARD ACCESSORIES】 | | | | | | | | |
| 1-1-1 | φ1ポイント | POINT, φ1 | | 137558 | - | 136235 | - | - | - | A,T Set |
| 1-1-1 | φ3ポイント | POINT, φ3 | | 137559 | - | 136236 | - | - | - | A,T Set |
| 50 | φ4ステム | STEM φ4 | | 21CAB106 | | | | - | - | A,T Set |
| 50 | φ6ステム | STEM φ6 | | 21CAB103 | | | | - | - | H Set |
| 50 | φ8ステム | STEM φ8 | | 21CAB104 | | | | - | - | E,A,T Set |
| 51 | ステムナット | NUT STEM | | 190322 | | | | - | - | H,E,A,T Set |
| 52 | ブラケット | BRACKET | | 901158 | | | - | - | - | T Set |
| | 【包装資材】 | 【PACKING】 | | | | | | | | |
| | ケース | CASE | | 21RAD096 | | | | | | |
| | カラーケース | PAPER CASE | | 21RAD117 | | | | | | |
| | | | | | | | | | | |
| | | | | | | | | | | |
| | | | | | | | | | | |
| | | | | | | | | | | |
| | | | | | | | | | | |
| | | | | | | | | | | |
| | | | | | | | | | | |
| | | | | | | | | | | |
| | | | | | | | | | | |
| | | | | | | | | | | |
| | | | | | | | | | | |
| | | | | | | | | | | |
| | | | | | | | | | | |
| | | | | | | | | | | |
| | | | | | | | | | | |
| | | | | | | | | | | |
| | | | | | | | | | | |
| | | | | | | | | | | |
| | | | | | | | | | | |
| | | | | | | | | | | |
| | | | | | | | | | | |
| | | | | | | | | | | |